



**精工弹簧·安全链接**

**Precision Springs·Safely Linkage**

Your Premier Partner for Precision Spring Solutions and Relative Services In China.

**GUANGZHOU ESINLINK INDUSTRIAL CO., LTD**



[www.esinlink.com](http://www.esinlink.com)



+86-15918721949



[contact@esinlink.com](mailto:contact@esinlink.com)

**01 Company Profile / 公司简介**

---

**02 Core Product / 核心产品**

---

**03 Derivative Spring Products / 重点产品**

---

**04 Manufacturing Expertise / 制造实力**

---

**05 Customer Voice / 客户之声**

---

**06 Core Application Industries / 应用场景**

---

**07 Contact ESINLINK / 联系我们**

[www.esinlink.com](http://www.esinlink.com)

[contact@esinlink.com](mailto:contact@esinlink.com)



GUANGZHOU ESINLINK INDUSTRIAL CO., LTD, was founded in 2021. Its founder has over 8 years of practical experience in the export department of a leading Chinese spring manufacturing enterprise, with an in-depth insight into the core demands of global customers regarding manufacturing processes, export compliance and supply chain efficiency. After nearly five years of dedicated development, ESINLINK has become a trusted supplier of high-performance, high-precision Chinese spring products and a one-stop custom service provider for global customers. 公司设立于2021年, 历经5年发展, 已成为全球客商信赖的“高性能、高精度中国弹簧产品供应商及一站式定制服务提供商”。



Adhering to the positioning of **"being not only a spring supplier, but also a reliable partner for precision components and performance solutions"**, we deeply understand the critical impact of tiny springs on product reliability and safety. We are committed to enabling each spring to be seamlessly integrated into customers' designs, enhancing product performance and optimizing supply chain costs, so as to provide stable and efficient precision connection solutions for the global industrial sector. 秉持“不仅是弹簧供应商, 更是可靠的精密部件与性能解决方案伙伴”的定位, 为全球工业领域提供稳定、高效的精密连接解决方案。



ESINLINK's products and services have covered more than 10 countries worldwide and been stably applied in core industries including automotive, oil and gas exploration, medical equipment, aerospace, communications, new energy, precision instruments and robotics. We have long provided supporting services for multiple Fortune 500 enterprises and industry leaders. 产品与服务已覆盖全球10多个国家, 稳定应用于汽车、石油天然气勘探、医疗设备、航空航天、通信、新能源、精密仪器、机器人等核心行业, 长期为多家全球500强企业及行业领导者提供配套支持。

2013-2021

The founder has worked in quality inspection, procurement, sales and other positions at spring manufacturing enterprises in succession, accumulating extensive industry experience. 公司创始人分别在精工弹簧采购、质检、销售等岗位工作，积累丰富经验

2023.11

WILLION, a senior technical expert in the precision spring field, joined the company as the **Chief Technology Officer**, kicking off the company's journey of technological research and development. 资深技术专家WILLION加盟公司，负责公司技术研发，开启技研之路。

2026.03

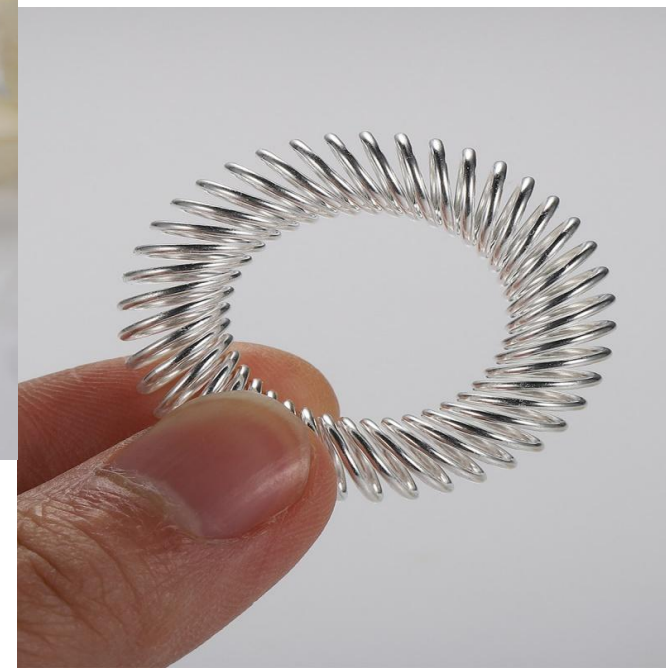
The company moved to a new office space and launched a revamped official website, opening a new chapter in its development. 公司搬迁新办公室，焕新上线官网，开启新征程。

2021.5

The founder initiated the establishment of the company, focusing on the trade of precision springs. 创始人发起设立公司，专注精工弹簧贸易。

2024

The company entered into OEM cooperation with three manufacturing enterprises, achieving the integrated integration of **trade, technological R&D and production**, and forming a one-stop closed-loop system. 公司与三家企业达成代工合作，实现贸易、技研、生产一体化。



- Canted Coil Spring - Industrial Grade High-Elastic High Current Contact For Universal Connectors / Universal EMC Shielding & Conductive Dual-Function Contact Finger / High Current Vibration-Resistant Custom Contact For New Energy Full Industry Chain etc.

- Canted Coil Spring - High Reliability Multi-Contact Conductive Core Component / Full-Dimensional Customization Solution For Global Demands / Integrated Shielding & Conductive Spring For New Energy Anti-Interference etc.

### Canted Coil Spring

- **Core Features/核心特性**

Near-constant elastic force output; stable conduction guaranteed by multi-point contact; excellent deformation resistance; precise tolerance compensation; high-efficiency heat dissipation with low temperature rise; multi-function integration; adaptation to a wide temperature range of -40°C~+140°C. 近恒定弹力输出、多点接触保障导通、卓越抗变形能力、精准公差补偿、高效散热低温升、多功能集成、-40°C~+140°C宽温域适应。

- **Materials and Plating/材料与电镀**

Base materials include 302/316L stainless steel, beryllium copper/zirconium copper alloys, Inconel and other special alloys; optional plating finishes: gold plating, silver plating, nickel plating, tin plating. 基线材料含302/316L不锈钢、铍铜/锆铜合金、因科镍等特种合金；电镀可选镀金、镀银、镀镍、镀锡。

- **Custom Specifications/规格定制**

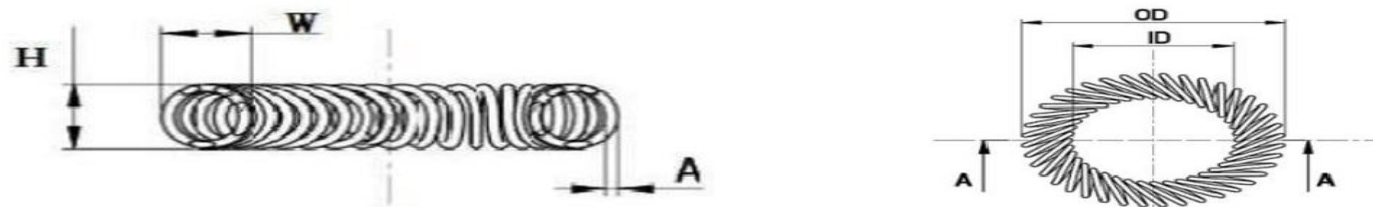
Wire diameter: 0.08mm-1.8mm; support for four load classes (light/medium/medium-heavy/heavy); full-dimensional parameter customization available according to groove design, force/conductivity requirements. 线径0.08mm-1.8mm. 支持轻/中/中重/重载四档负载等级，可根据凹槽设计、受力/导电需求定制全维度参数。

- **Performance Highlights/性能亮点**

Maximum continuous current up to 5700A; contact resistance as low as 0.05mΩ-0.1mΩ; standard service life ≥10,000 cycles, with enhanced versions reaching more than 100,000 cycles. 连续电流最高5700A，接触电阻低至0.05mΩ-0.1mΩ，常规使用寿命≥10000次循环，增强版可达100000次以上。

**Tips:** 1. For more details, visit our official website([www.esinlink.com](http://www.esinlink.com)) or contact our representative.

2. All products are customizable. 更多信息请访问官网，所有产品均可定制。



P/N	Wire Diame(A) (mm)	Ref. Wide (W) (mm)	Ref. Height(H) (mm)	Inside Diame(ID) (mm)	Outside Diame(OD) (mm)
ESIN-0140-0012-022	0.12	0.80	1.20	1.40	3.00
ESIN-0238-0015-028	0.15	0.85	1.20	2.40	4.10
ESIN-0300-0015-034	0.15	0.90	1.20	3.00	4.80
ESIN-0300-0015-036	0.15	1.20	1.40	3.00	5.40
ESIN-0360-0015-042	0.15	1.20	1.40	3.60	6.00
ESIN-0400-0015-046	0.15	1.20	1.40	4.00	6.40
ESIN-0500-0015-056	0.15	1.20	1.40	5.00	7.40
ESIN-0600-0020-053	0.20	1.60	1.80	6.00	9.20
ESIN-0800-0015-082	0.15	1.20	1.40	8.00	10.40
.....	.....	.....	.....	.....	.....

**Tips:** 1. For more details, visit our official website([www.esinlink.com](http://www.esinlink.com)) or contact our representative.  
 2. All products are customizable.更多信息请访问官网, 所有产品均可定制。



Special Notice: Images are for reference only. Products shown are not standard items. Custom designs based on customer drawings are welcome. We respect intellectual property rights and strictly prohibit any infringement. 图片仅示范，定制产品非卖品.

## Derivative Spring Products

- **EMC Shielding Springs for New Energy Industry** 新能源行业EMC屏蔽弹簧

Featuring a single-lobed rotary hyperboloid wire spring socket structure, they integrate shielding, electrical conductivity and mechanical connection, specially designed for complex electromagnetic environments in new energy applications. 单叶回转双曲面线簧插孔结构，屏蔽+导电+机械连接一体化，专为新能源电磁复杂场景设计。

- **Spring Contact Series** 弹簧触指系列

Industrial-grade high-elasticity high-current type, dual-function shielding & conductive type, custom type for new energy, and micro high-precision type for watch straps, to meet conductive requirements in various scenarios. 工业级高弹性大电流款、屏蔽导电双功能款、新能源定制款、表带微型高精度款，适配不同场景导电需求。

- **Bidirectional Helical Canted Coil Springs** 双向螺旋斜圈弹簧

Exclusively for new energy connectors, with higher contact density and more uniform elasticity. Compliant with international standards including IEC62196, J1772 and GB20234. 新能源连接器专用，接触点密度更高、弹力更均匀，适配IEC62196、J1772、GB20234等国际标准。

- **Precision Spring Socket Series** 精密弹簧插孔系列

High-reliability supporting sockets for a wide range of connectors, perfectly matched with ESINLINK springs to achieve seamless conductive connection. One-stop socket & pin assembly support is available. 为各类连接器提供高可靠性配套插孔，与亿橙弹簧完美适配，实现无缝导电连接，支持插孔-插针一站式配套

**Tips:** 1. For more details, visit our official website([www.esinlink.com](http://www.esinlink.com)) or contact our representative.

2. All products are customizable. 更多信息请访问官网，所有产品均可定制。

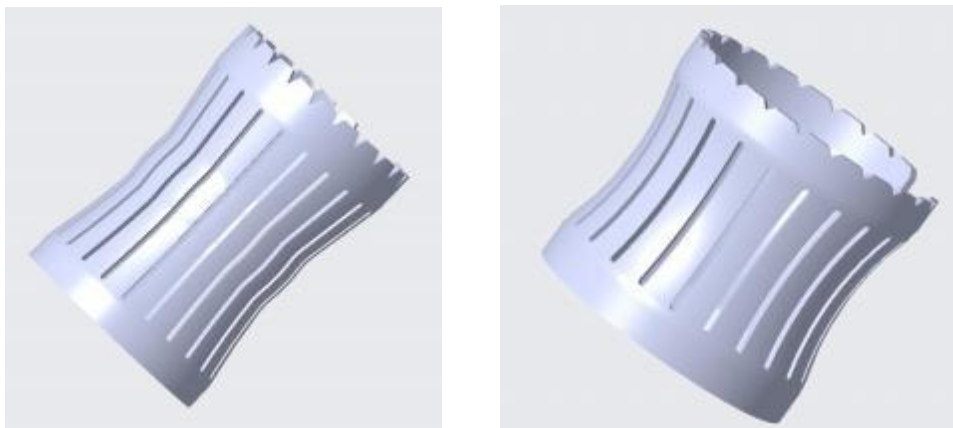
## Spring Socket/Jack/弹簧插孔



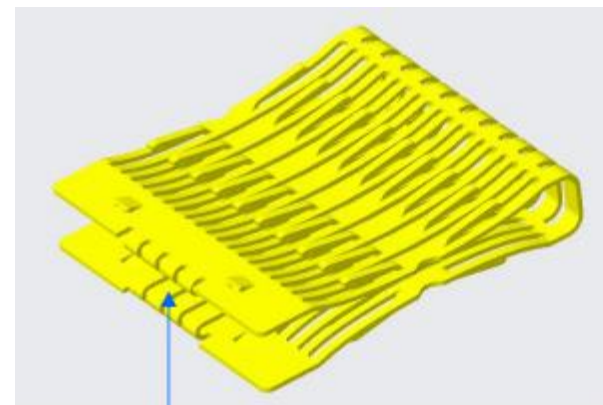
### Spring-loaded socket/斜圈弹簧插孔

- High contact power density / multi-contact 高接触的功率密度 / 多触点
- Up to 100,000 mating cycles 插拔寿命高达100000次
- Easy installation & replacement 安装&更换方便
- High current-carrying capacity & low temperature rise 高通电能力&低温升
- Low insertion and extraction force 低的插入和拔出力
- Low voltage drop 低电压降
- High resistance to vibration and shock 耐高振动和冲击性能

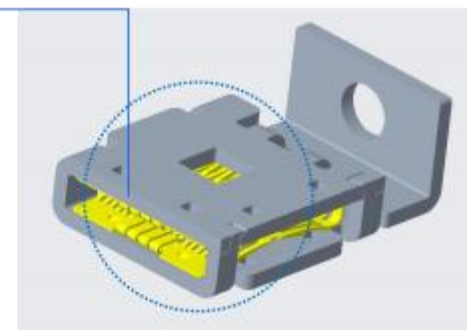
Crown spring contact 冠簧簧片



Rectangular spring reed 矩形簧片

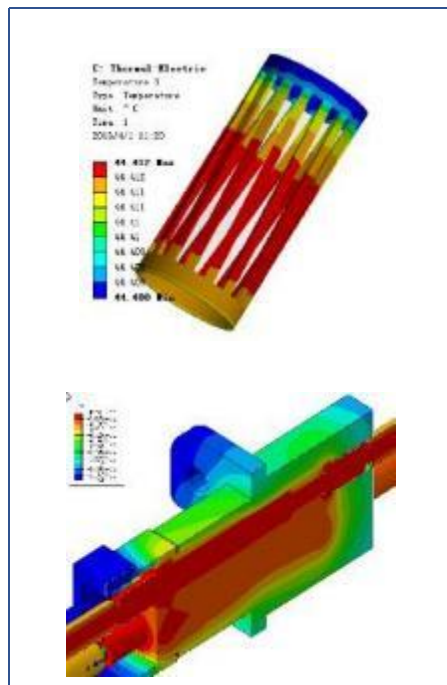
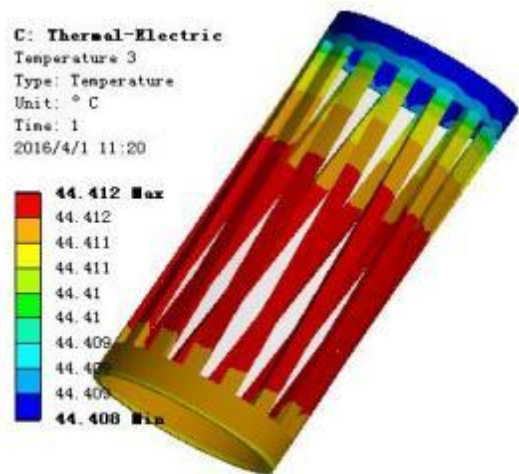


Slotted contact 劈槽结构

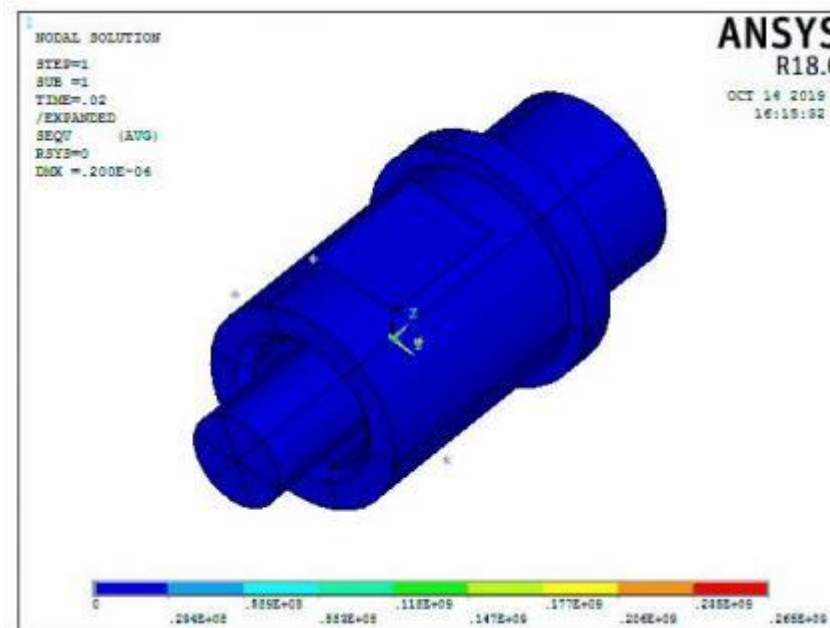
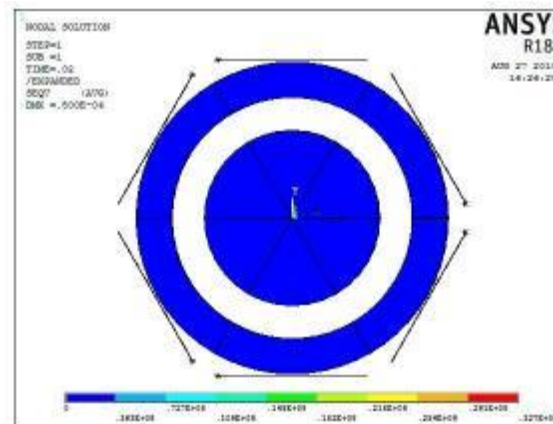


# Contact Mechanics Simulation, Thermal Simulation 接触力学仿真、 热学仿真示例

积累： 多年温度数据库



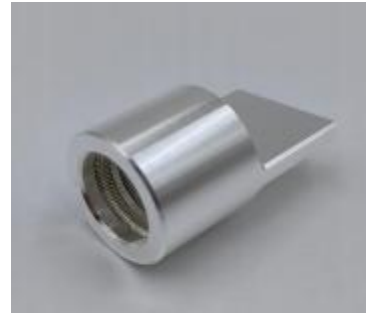
Electrothermal  
Simulation



More product photos更多产品图片示意



More product photos 更多产品图片示意



More product photos 更多产品图片示意



## Industrial Connector Series

Featuring canted coil springs / spring contacts as the core conductive structure, we provide high-reliability, high-current, and vibration-resistant industrial connectors for key applications including new energy, energy storage, industrial power supply, and rail transit. 以斜圈弹簧/弹簧触指为核心导电结构，打造高可靠性、大电流、抗振型工业连接器，覆盖新能源、储能、工业供电、轨道交通等核心场景。



Special Notice: Images are for reference only. Products shown are not standard items. Custom designs based on customer drawings are welcome. We respect intellectual property rights and strictly prohibit any infringement. 图片仅示范，定制产品非卖品。

- **360° Floating Self-Aligning BTB Connectors** 360°浮动自对中板对板 (BTB) 连接器

360° omnidirectional floating displacement for automatic compensation of assembly misalignment. Contact impedance: 0.2–0.5 mΩ. Suitable for new energy battery packs and aerospace precision equipment. 360°全方向浮动偏移, 自动补偿装配错位, 接触阻抗0.2-0.5mΩ, 适配新能源电池包、航空航天精密设备

- **LINK Series Multi-Pin Power Connectors** LINK系列多芯电源连接器

Full range of 15/25/29/37 pins, compatible with State Grid charging module interfaces. Max 80A per pin, designed for 30KW/40KW charging stations. 15/25/29/37芯全覆盖, 国网充电模块接口兼容, 单针最大输入80A, 适配30KW/40KW充电桩

- **High-Reliability Energy Storage Connectors** 高可靠性储能连接器

Male + female design, optimized for high-frequency charging and discharging in energy storage systems. Contact resistance  $\leq 0.5$  mΩ. Applied in large-scale energy storage power stations and residential / C&I energy storage systems. 阳端+阴端设计, 专为储能高频充放电优化, 接触电阻 $\leq 0.5$ mΩ, 适配大型储能电站、户用/工商用储能系统

- **LINK60 & LINK90 Connectors** LINK60&90连接器

Compatible with global EV charging standards and full-range industrial sockets. One product covers new energy vehicle, industrial energy storage, and general industrial scenarios. 兼容全球车载充电标准与工业全规格插孔, 一款产品适配新能源车载+工业储能+通用工业多场景

- **Custom High-Current BTB Connectors** 大电流定制型BTB连接器

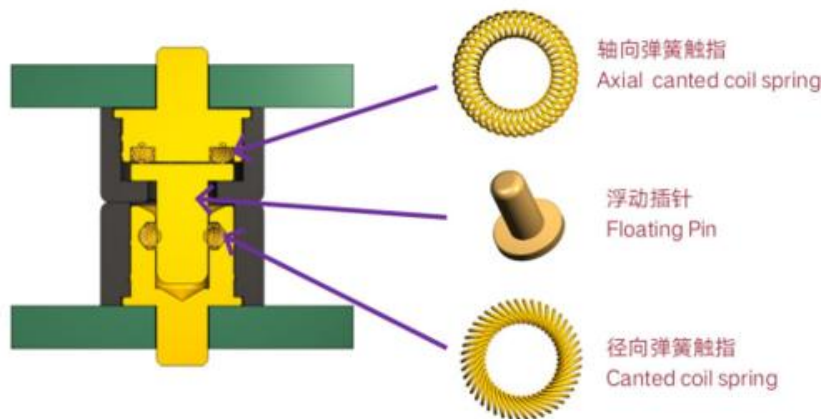
Rated current customizable from 20–100A. Board-to-board distance accuracy  $\pm 0.50$  mm. Used in new energy vehicle power supplies and PV inverters. 20-100A额定电流可定制, 板对板连接距离精度 $\pm 0.50$ mm, 适配新能源车载电源、光伏逆变器

- **Industrial Pin Connectors** 工业插针连接器

Fully compliant with IEC62196, J1772, and GB20234 standards. Socket sizes from 1.5–28 mm. Support matching shielding spring assembly. 精准匹配IEC62196、J1772、GB20234标准, 覆盖1.5-28mm工业插孔尺寸, 支持屏蔽弹簧配套

**Tips:** 1. For more details, visit our official website([www.esinlink.com](http://www.esinlink.com)) or contact our representative.

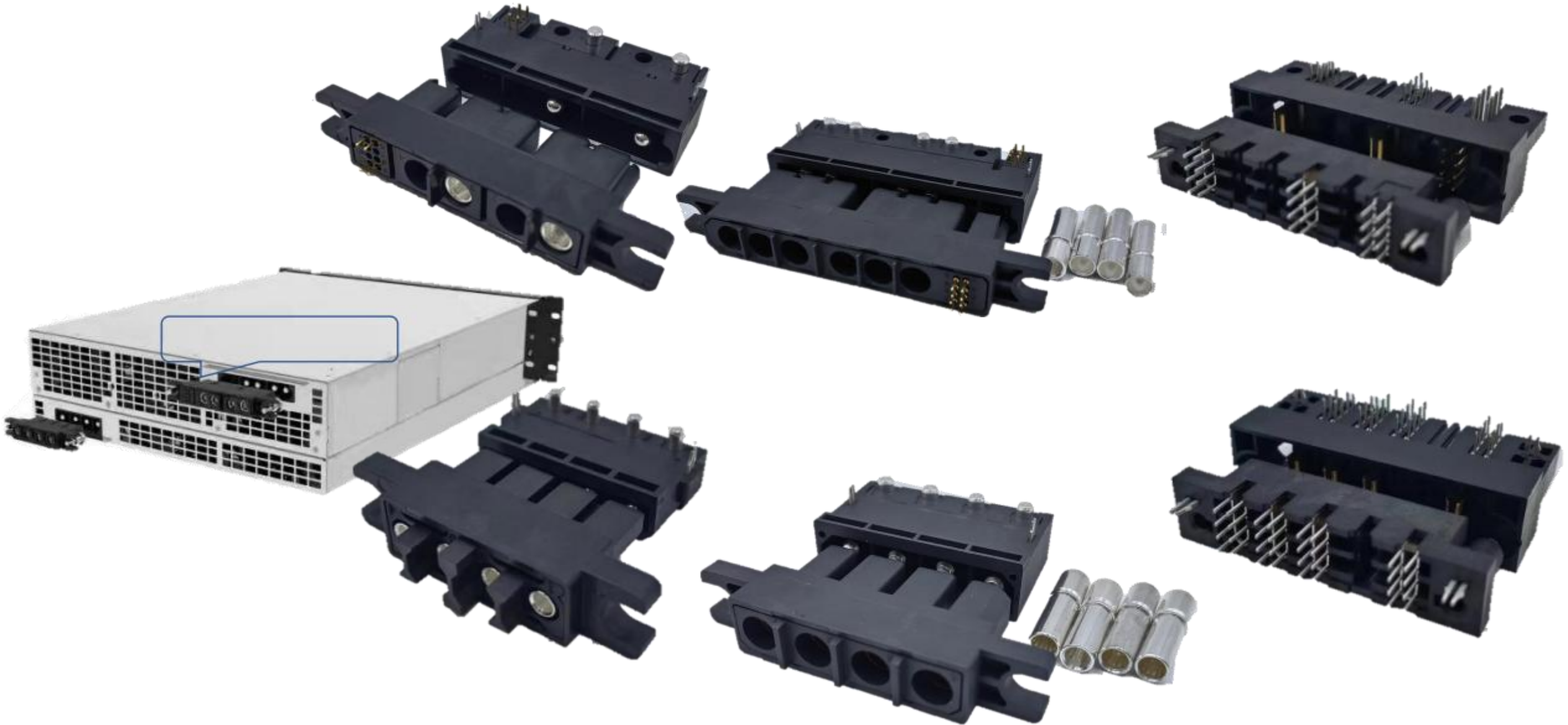
2. All products are customizable. 更多信息请访问官网, 所有产品均可定制。



# 03重点产品

Derivative Spring Products

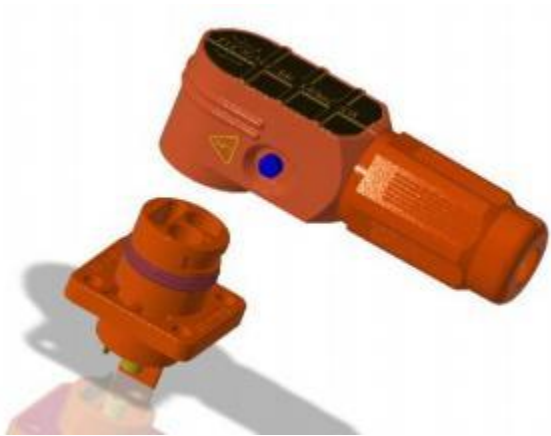
# Industrial Connector Series/工业连接器系列



### 03重点产品

Derivative Spring Products

## Industrial Connector Series/工业连接器系列





We are equipped with a full set of intelligent production and testing equipment for the precision machining of precision springs and connector inserts, mainly including: 4-axis CNC machining centers, CNC lathes, CNC Swiss-type lathes, CNC spring formers, conventional milling machines, drilling machines / high-speed bench drills, tapping machines, thread rolling machines, slotting machines, instrument lathes, profile projectors, and laser welding machines, etc. 配备精工弹簧与连接器插件深加工的全套智能生产与检测设备，主要包括：CNC 四轴加工中心、CNC 数控车床、CNC 数控走心机、数控弹簧机、普通铣床、钻孔机 / 高速台钻、攻牙机、滚牙机、剖槽机、仪表车床、投影仪、激光焊接机等。



We implement strict full-process quality control from routine inspection, post-plating test to performance & life test, ensuring stable and reliable products. Equipped with: Routine Inspection Area (2D measuring device, microscope, CCD inspection), post-plating inspection (coating thickness, ROHS, peel strength, vulcanization test, etc.), performance & life test (temperature rise, contact resistance), fully automatic optical sorting, etc. 实施全流程严苛品质管控, 从常规检测、镀后检验到性能寿命测试, 层层把关, 确保产品稳定可靠。配备: 常规检验区 (二次元、显微镜、CCD 检测)、镀后检验 (膜厚、ROHS、剥离力、硫化测试等)、性能寿命试验 (温升、接触电阻)、全自动光学筛选等。



### **Procurement Director, Oil Equipment Company, Saudi Arabia**

We have cooperated with ESINLINK for three years. Their springs deliver extremely stable quality and have completely solved the intermittent failures on our production line.



### **Project Manager, Medical Device Company, Germany**

Their technical support responds quickly and helped us optimize the spring design of a key component, reducing our cost by 15%.



## 01 Energy 能源

Power transmission / distribution equipment, circuit breakers, new energy storage, PV inverters, charging stations, oil and gas downhole tools.

## 02 Transportation 交通

New energy vehicles, high-speed rail / rail transit, on-board power systems, heavy-duty truck power connectors.



## 03 Aerospace 航空

Avionics, aerospace connectors, airborne power systems, anti-vibration electrical connections.



### 04 Medical 医疗

Pacemakers, neurostimulators, infusion pumps, surgical instruments, EMI shielding for medical devices.

### 05 Electronics & Semiconductor 半导体

Board-to-board connectors, semiconductor manufacturing equipment, electromagnetic interference shielding, micro sensors.



### 06 Industrial Equipment 工业

Laser equipment, industrial controllers, high-frequency switching power supplies, low-voltage power distribution cabinets, heavy-duty connectors.

## 07 Consumer Electronics 消费电子

Smart wearables, portable analytical instruments, micro connectors.



With precision springs as the link, ESINLINK looks forward to cooperating with global customers. With professional products, customized solutions and all-round services, we empower efficient connections in global industry and jointly build an efficient, reliable and innovative industrial spring ecosystem!

## Global Business Contact 全球商务对接

- **Contact Person:** Ms. Fei/费总
- **Phone / WhatsApp / WeChat:**  
+86 15918721949
- **Email:** [contact@esinlink.com](mailto:contact@esinlink.com)
- **Website:** [www.esinlink.com](http://www.esinlink.com)
- **Address:** Room 1316-7, Guangdong International Building, No. 339 Huanshi East Road, Yuexiu District, Guangzhou, Guangdong Province, China

## Act Now and Experience ESINLINK Exclusive Service

- **Sample Request:** Verify the superior quality and performance of our products.
- **Free Solution Evaluation:** Let our expert team support your project.
- **Instant Quotation:** Get competitive pricing and cost-effective solutions.
- **15-Minute Online Meeting:** One-on-one discussion with solution experts to customize your exclusive cooperation plan.



Global Partner for Precision **Spring** Solutions

10+ Countries in Automotive, Medical & Robotics, etc.

# THANK YOU

Precision Connections, Trust **ESINLINK**.

Contact ESINLINK today for custom solutions and inquiries!



[www.esinlink.com](http://www.esinlink.com)



+86-15918721949



[contact@esinlink.com](mailto:contact@esinlink.com)

